

ALUKIT DESCRIPTION

MERCEDES Sprinter 37S - VOLKSWAGEN Crafer 37S

A POLYESTER FRAME + AN ALUMINIUM ROLL-UP DOOR = ALUKIT

ALUKIT is an ideal solution for every body who wishes to replace the original rear doors of the vehicle with a roll-up door without modifying the body.

It's composed of a polyester frame adapted to the shape of the vehicle and a roll-up door.

To install an ALUKIT, you just need to remove the original rear door and place the polyester frame on the vehicle, then install the shutter.

The final fixing is done with integrated screws in the polyester frame, which have to be placed in the hinges of the original doors.



Advantages :

- Vehicle's appearance preserved
- No change on the vehicle body (No piercing, cutting, soldering or painting)
- The original doors can be restored
- Easy installation
- Short installation time (4 to 5 hours)

The polyester frame is delivered in RAL 9010, orange RAL 2000 or other color RAL on request.

The roll-up door standard finish is in RAL 7035 satin finish powder coated grey, but can also be delivered in RAL 9010, orange RAL 2000, anodized or other RAL on request.

! WARNING ! Check your exact vehicle model !

Our ALUKIT for MERCEDES Sprinter 37S and VOLKSWAGEN Crafter 37S is available for the **high** version.



MERCEDES SPRINTER 37S SURELEVE VOLKSWAGEN CRAFTER 37S SURELEVE

Passing width : 1218 mm
Passing height : 1710 mm

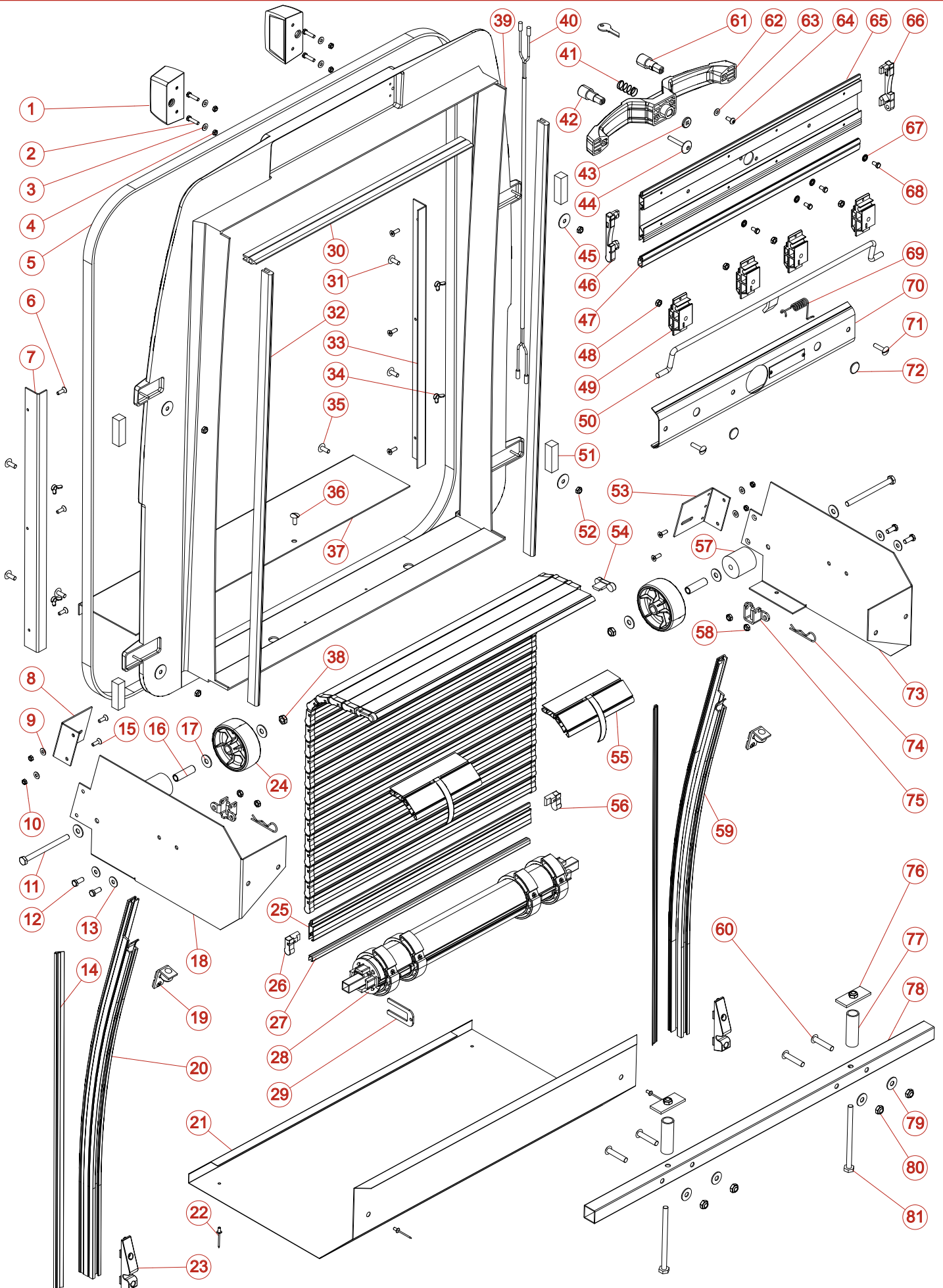
ALSO AVAILABLE FOR:

IVECO H2 & H3

FORD TRANSIT

RENAULT, PEUGEOT, CITROEN AND FIAT

EXPLODED VIEW ALUKIT CRAFTER 3665 SURELEVE - SPRINTER 375



ELEMENT LIST CRAFTER 3665 SURELEVE - SPRINTER 37S

| REP | CODE | DESCRIPTION |
|-----|------|---|
| 1 | 6019 | REAR-REGISTRATION-PLATE ILLUMINATION DEVICE |
| 2 | 3346 | STAINLESS SCREW TH 5 X 20 |
| 3 | 3319 | SRAINLESS RING M 5 |
| 4 | 3348 | STAINLESS NUT HU M 5 |
| 5 | 2048 | FOAM SEAL 20 X 5 (M) |
| 6 | 3330 | STAINLESS SCREW TF POZIDRIV 5 X 16 |
| 7 | 6710 | ANGLE BRACKET FOR LEFT LIGTH |
| 8 | 6704 | LEFT SIDE PANEL ANGLE BRACKET |
| 9 | 3319 | STAINLESS RING M 5 |
| 10 | 3320 | STAINLESS LOCK NUT M 5 |
| 11 | 3300 | STAINLESS SCREW TH 8 X 100 |
| 12 | 3303 | STAINLESS SCREW TH 6 X 16 |
| 13 | 3304 | STAINLESS RING L 6 |
| 14 | 2023 | TRACK SEAL (M) |
| 15 | 3330 | STAINLESS SCREW TF POZIDRIV 5 X 16 |
| 16 | 3109 | STEEL SPACER |
| 17 | 3301 | STAINLESS RING L 8 |
| 18 | 6702 | LEFT SIDE PANEL FOR CRAFTER OR SPRINTER |
| 19 | 8117 | COMPLETE UPPER STOP |
| 20 | 6714 | LEFT TRACK FOR CRAFTER OR SPRINTER |
| 21 | 6708 | PROTECTION COVER FOR CRAFTER OR SPRINTER |
| 22 | 3338 | ALU/STEEL STANDARD RIVER 4 X 8 |
| 23 | 8115 | COMPLETE ROD LOCK SYSTEM |
| 24 | 4110 | WHEEL 80 DIA |
| 25 | 1001 | ABE SLAT 30 (M) |
| 26 | 4002 | LEFT SLAT CAP |
| 27 | 2004 | INNER SLAT SEAL (M) |
| 28 | 8001 | ROLLER 62 |
| 29 | 3108 | BLOCKING FORK |
| 30 | 2042 | ALUKIT WATERPROOF TOP SEAL |
| 31 | 3325 | STAINLESS SCREW TRL POELIER 6 X 16 |
| 32 | 6613 | BLACK PVC SEAL (M) |
| 33 | 6709 | ANGLE BRACKET FOR RIGHT LIGTH |
| 34 | 3323 | STAINLESS NUT WITH HANDLE M 6 |
| 35 | 3325 | STAINLESS SCREW TRL POELIER 6 X 16 |
| 36 | 3366 | STAINLESS SCREW TRL POELIER 6 X 10 |
| 37 | 6706 | CRAFTER OR SPRINTER DOORSTEP |
| 38 | 3302 | STAINLESS LOCK NUT M 8 |
| 39 | 6700 | CRAFTER POLYESTER FRAME |
| | 6750 | SPRINTER POLYESTER FRAME |
| 40 | 6716 | ELECTRICAL CLUSTER |
| 41 | 3326 | COMPRESSION SPRING FOR PUSH BUTTON |
| 42 | 4202 | PUSH BUTTON |
| 43 | 4201 | DOUBLE HANDLE PLASTIC RING |
| 44 | 3345 | SCREW POELIER TORSQUE 6 X 30 |
| 45 | 3332 | STAINLESS RING LL 6 |
| 46 | 4017 | TERMINAL SLAT LEFT CAP |

| REP | CODE | DESCRIPTION |
|-----|-------------------|--------------------------------------|
| 47 | 2010 | BOTTOM SEAL (M) |
| 48 | 3503 | ZING-COATED LOCK NUT M 6 |
| 49 | 4251 | FIXATION ROD BEARING |
| 50 | 3213 | 1 TO 1.5 M ROD |
| 51 | 6100 | ALUKIT STICKER SEAL (M) |
| 52 | 3305 | STAINLESS LOCK NUT M 6 |
| 53 | 6703 | RIGHT SIDE PANEL ANGLE BRACKET |
| 54 | 4004 | SLAT SPECIAL CAP |
| 55 | 8114 | LOOPS GUIDE |
| 56 | 4003 | RIGHT SLAT CAP |
| 57 | 4107 | PLASTIC SPACER |
| 58 | 3305 | STAINLESS LOCK NUT M 6 |
| 59 | 6715 | RIGHT TRACK FOR CRAFTER OR SPRINTER |
| 60 | 3368 | STAINLESS SCREW TRL POELIER 8 X 40 |
| 61 | 3901 à 3920 | CYLINDER FOR LOCK N° 1001 TO N° 1020 |
| | 4200 | MCD DOUBLE HANDLE |
| 62 | 4200 | MCD DOUBLE HANDLE |
| 63 | 3319 | STAINLESS RING M 5 |
| 64 | 3324 | STEEL STAINLESS TC 5 X 12 POZIDRIV |
| 65 | 1101 | TERMINAL SLAT (M) |
| 66 | 4018 | RIGHT TERMINAL SLAT CAP |
| 67 | 3307 | STAINLESS RING AZ 5 |
| 68 | 3306 | STAINLESS SCREW TH 5 X 10 |
| 69 | 3207 | TORSION SPRING FOR ROD |
| 70 | 1200 | COVER (M) |
| 71 | 3335 | STAINLESS SCREW TRL POELIER 6 X 25 |
| 72 | 4208 | CAP COVER |
| 73 | 6701 | RIGHT SIDE PANEL |
| 74 | 3371 | STAINLESS BETA PIN 2.5 |
| 75 | 3139 | ROLLER SUPPORT |
| 76 | 6705 | SPECIAL NUT |
| 77 | 6717 | ALU SPACER |
| 78 | 6707 | SIDE PANEL REINFORCEMENT |
| 79 | 3301 | STAINLESS RING L 8 |
| 80 | 3302 | STAINLESS LOCK NUT M 8 |
| 81 | 3367 | STAINLESS SCREW TH 8 X 120 |

AUSTRALIAN DISTRIBUTOR:

SEM PRO (A Division of SEM Fire and Rescue Pty. Ltd)

17 Trewin Street, Wendouree. Vic. 3355.

Tel: 03 5339 0222

Fax: 03 5339 2691

Email: sales@semfr.com.au